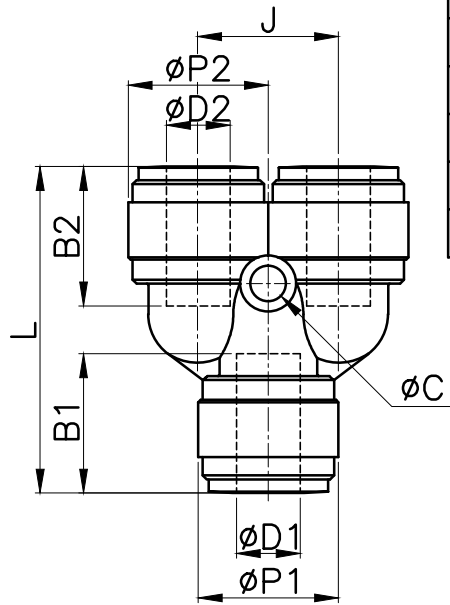


HUY



MODEL(mm)	$\phi D1$	$\phi D2$	B1 (TUBE DEEP)	B2 (TUBE DEEP)	$\phi P1$	$\phi P2$	L	J	ϕC	WEIGHT (g)	EA (BOX)
HUY 0404	04	04	14.7	14.7	13.8	13.8	33.7	13.5	3.3	6.7	100
HUY 0606	06	06	16.1	16.1	15.5	15.5	38.8	15.5	3.3	9.2	50
HUY 0808	08	08	17.5	17.5	17.6	17.6	41.0	17.6	4.5	11.6	50
HUY 1008	10	08	20.1	17.5	20.0	20.0	45.9	20.0	4.5	16.8	25
HUY 1010	10	10	20.1	20.1	20.0	20.0	46.2	20.0	4.5	16.0	25
HUY 1212	12	12	24.7	24.7	23.0	23.0	56.4	23.0	4.5	26.3	20