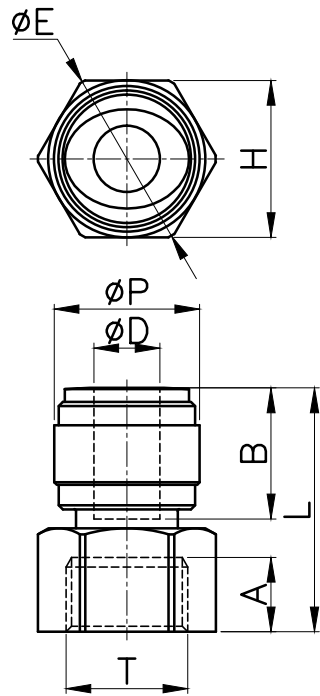


HCF-UNF



MODEL(mm)	ϕD	ϕP	T(UNF)	L	A	B (TUBE DEEP)	H (Hex)	ϕE	WEIGHT (g)	EA (BOX)
HCF 06-UNF7/16	06	17.6	7/16-20	30.1	9.5	16.1	17	19.0	6.5	50
HCF 08-UNF7/16	08	17.6	7/16-20	30.5	9.5	17.5	17	19.0	6.5	50
HCF 10-UNF7/16	10	20.0	7/16-20	33.1	9.5	20.1	17	19.0	7.5	50