

-5°C ÷ 70°C



Working pressure:
from 0 to 10 Bar



Compressed air, lubricated compressed air, various gases suitable with construction materials (gases which when discharged into the atmosphere are not dangerous to persons or property)



- Parallel gas BSPP ISO 228 from G1/8" to G3/4" (1610)
- NPT from N1/8" to N1/2" (1620)



Body: Chromed brass CW614N

Slider: Blue anodized aluminium

Seal: NBR 70

Elastic ring: Stainless steel

FLOW DIRECTION

Flow direction indication engraved on the valve body

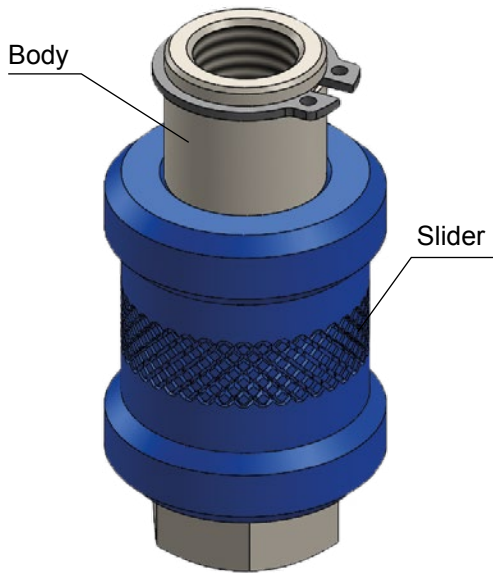


Products in compliance with EC Regulation 1907/2006

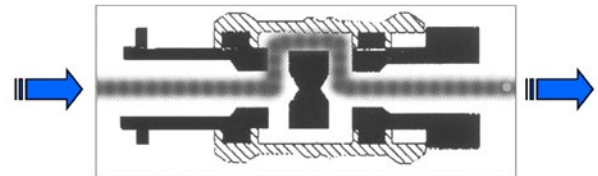


Products in compliance with the directive EU 2015/863

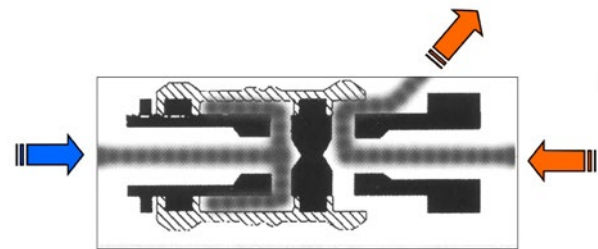
CONSTRUCTION DETAILS



FLOW DIRECTION



Slide in OPEN position



Slide in CLOSED position

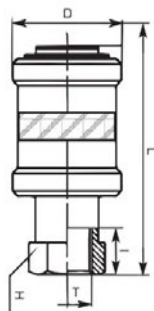
AIR FLOW RATE
SLIDE VALVE - 1610

FLOW	M5x0,8	1/8"	1/4"	3/8"	1/2"	3/4"
Nl/min	100	680	1300	2100	3800	5700



1610

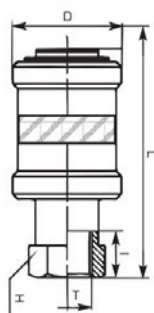
Slide valve BSPP & metric thread



CODE	T	D	I	L	H	g
1610TRM5	M5x0,8	14	5,0	30,5	10	11
1610TR18	G 1/8"	25	9,0	48,0	14	51
1610TR14	G 1/4"	30	11,5	58,0	19	98
1610TR38	G 3/8"	35	12,0	70,0	22	156
1610TR12	G 1/2"	40	15,0	75,0	27	212
1610TR34	G 3/4"	50	16,5	83,0	32	317

1620

Slide valve NPT thread



CODE	T	D	I	L	H	g
1620TR18	N 1/8"	25	8	55,5	14	51
1620TR14	N 1/4"	30	11	69,0	19	98
1620TR38	N 3/8"	35	12	81,5	22	156
1620TR12	N 1/2"	40	15	90,0	27	212

