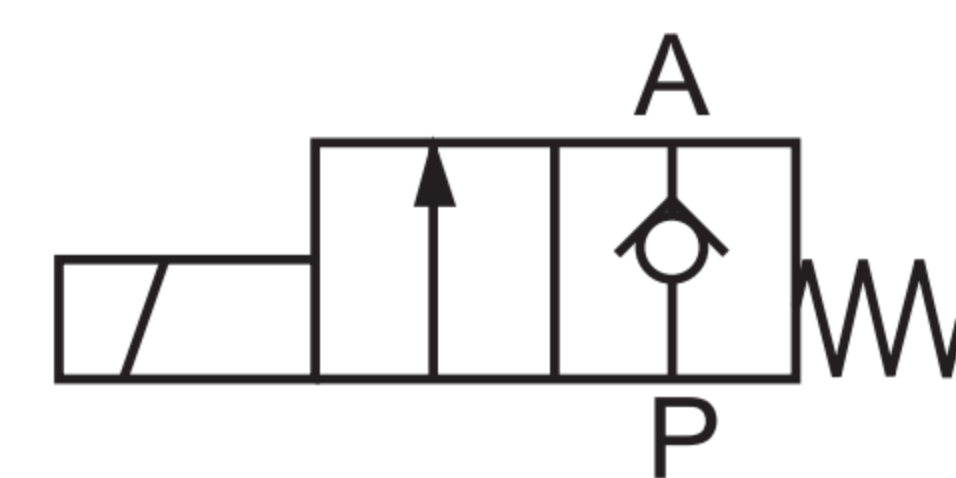


ELP

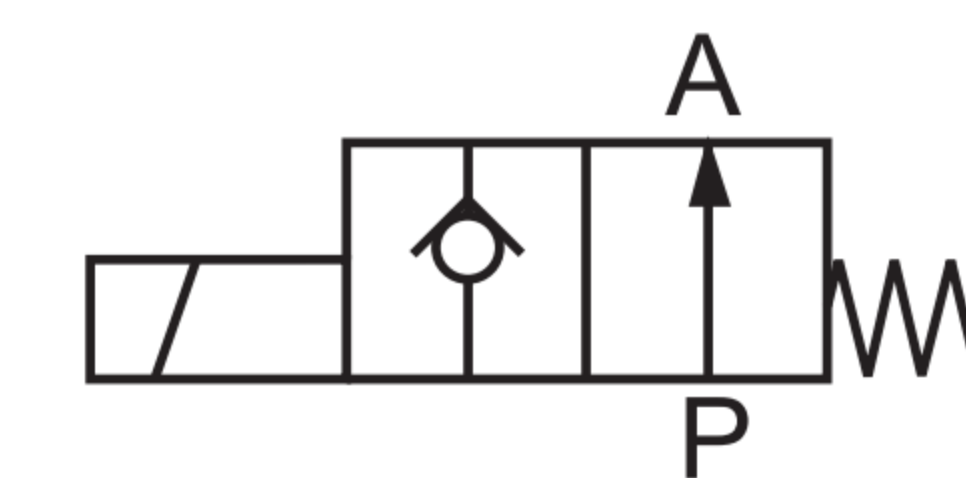
Solenoid Valve

2

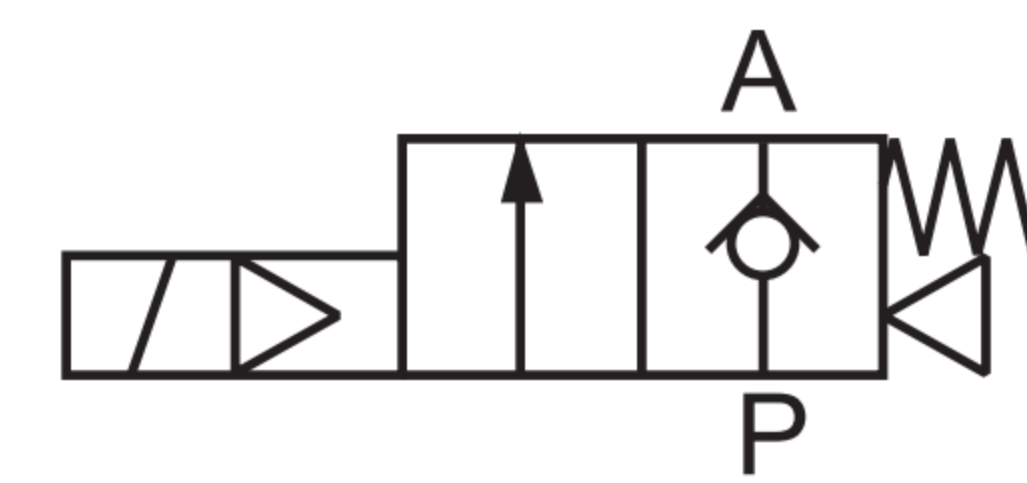
ELP



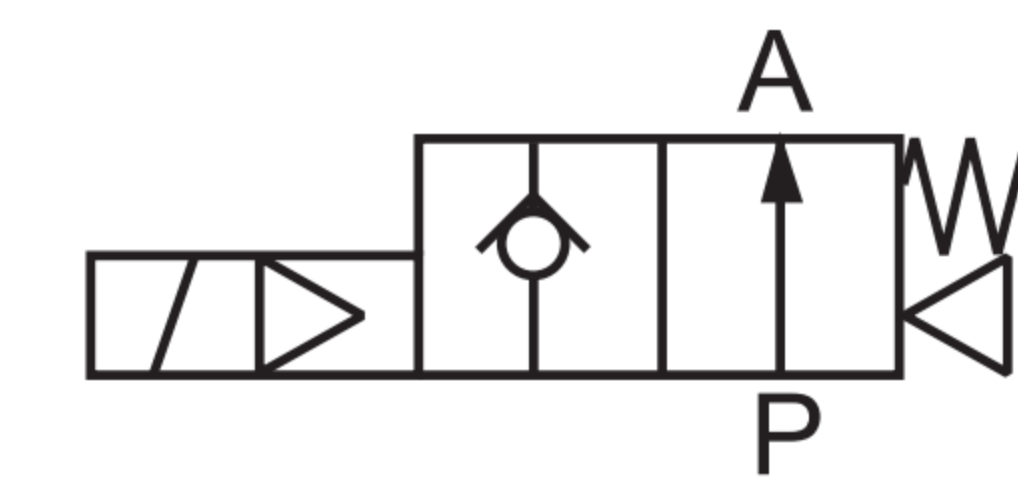
Direct Acting N.C



Direct Acting N.O



Pilot Type N.C



Pilot Type N.O

How to Order ?

Series	Port Size	Original Status	Orifice	ID Code	Voltage	Cover Color	Valve Body Material	Seal Material	Thread Type
ELP	06: 1/8" 08: 1/4" 10: 3/8" 15: 1/2" 20: 3/4" 25: 1"	Blank: N.C. H: N.O.	015: 1.5mm 020: 2.0mm 030: 3.0mm 040: 4.0mm 150: 15mm 200: 20mm 250: 25mm	Blank: Standard Type N: Energy Saving Type	E1: AC110V E2: AC220V E4: DC24V E5: DC12V E7: AC24V	Blank: Black (only for DBK waterproof type) J: Colorless and translucent (only for DB type)	Blank: Brass	Blank: NBR E: EPDM V: VITON (Only VITON is available for 1/8", 1/4" port) VITON is standard for 1/4" and 1/8", keep this code blank.	Blank: G P: PT T: NPT

(Note: If orifice size same with port size, omit the orifice size.)

Order Example:

ELP series solenoid valve, 1/2 port size, N.C., 15mm orifice, AC220V, black cover color, brass valve body, NBR seal, G thread, ERP code is: ELP15-150E2

Product Features

- * 2/2 N.C/N.O solenoid valve, brass valve body, compact design, saving space.
- * Three types seals are optional, including NBR, EPDM and VITON, catering to different medium requirements.
- * Direct acting solenoid valve with VITON seal, 4 pressure types are optional: standard, high pressure, ultra high pressure and large flow type.
- * Well sealed water proof connector, protection grade of IP65.
- * Reduce power consumption up to 80%.

Specifications

Model	Direct Acting N.C.								Direct Acting N.O.							
	ELP06-015-V	ELP08-015-V	ELP06-020-V	ELP08-020-V	ELP06-030-V	ELP08-030-V	ELP06-040-V	ELP08-040-V	ELP06H-015-V	ELP08H-015-V	ELP06H-020-V	ELP08H-020-V	ELP06H-030-V	ELP08H-030-V	ELP06H-040-V	ELP08H-040-V
Port Size	1/8"	1/4"	1/8"	1/4"	1/8"	1/4"	1/8"	1/4"	1/8"	1/4"	1/8"	1/4"	1/8"	1/4"	1/8"	1/4"
Orifice (mm) ①	1.5		2		3		4		1.5		2		3		4	
Cv	0.1		0.18		0.33		0.55		0.1		0.18		0.33		0.55	
Pressure Difference (Bar)	0 ~ 30		0 ~ 20		0 ~ 13		0 ~ 8		0 ~ 30		0 ~ 16		0 ~ 8		0 ~ 5	
Acting Type	Direct Acting NC.								Direct Acting NO.							
Power consumption	Standard type: AC:15VA DC10W Low power type: AC:4VA DC3W AC110V:7.0VA								Standard type: AC:12VA DC10W Low power type: AC:4VA DC3W AC110V:7.0VA							
Guaranteed Pressure (Bar)	45															
Medium	Air, Water, Hot water, Oil (≤20CST)															
Working Temperature (°C)	-20 ~ 80 (No freezing)															
Voltage Range	-15 ~ 10%															
Insulations	F Class															
Protection grade	IP65(DIN40050)															
Valve Body Material	Brass															
Seal Material	VITON only															

① G、PT、NPT thread type is optional.

ELP Series Solenoid Valve

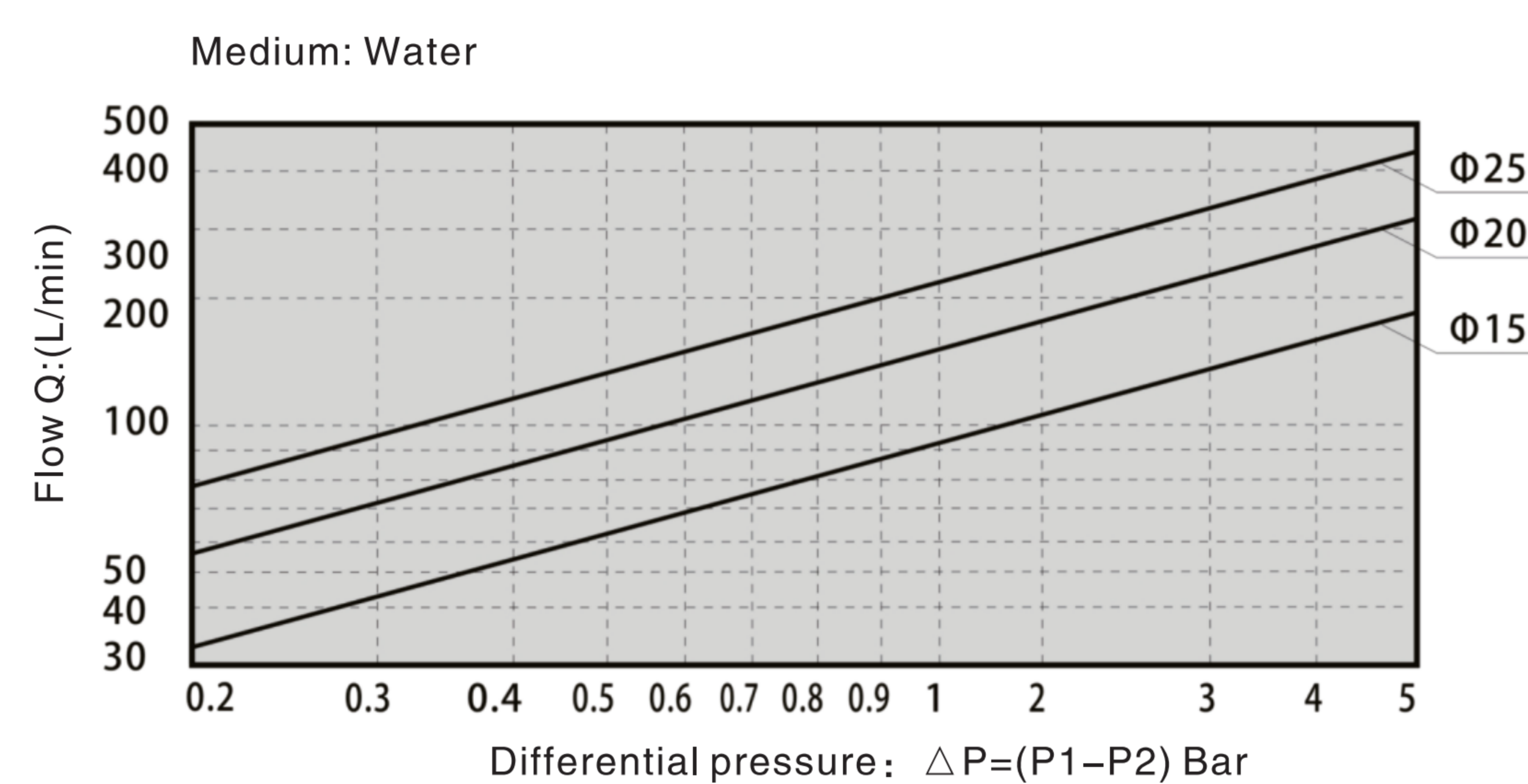
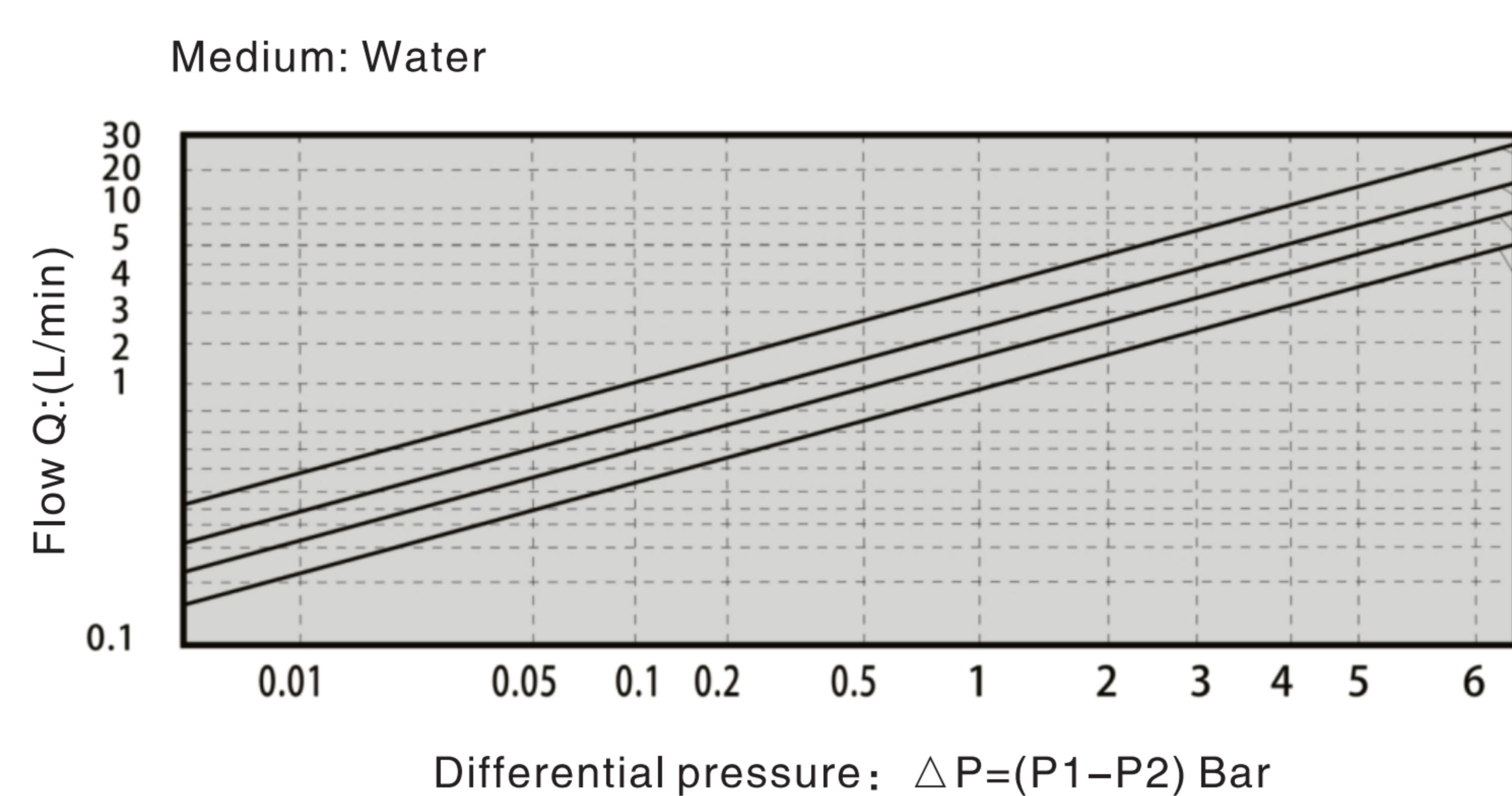
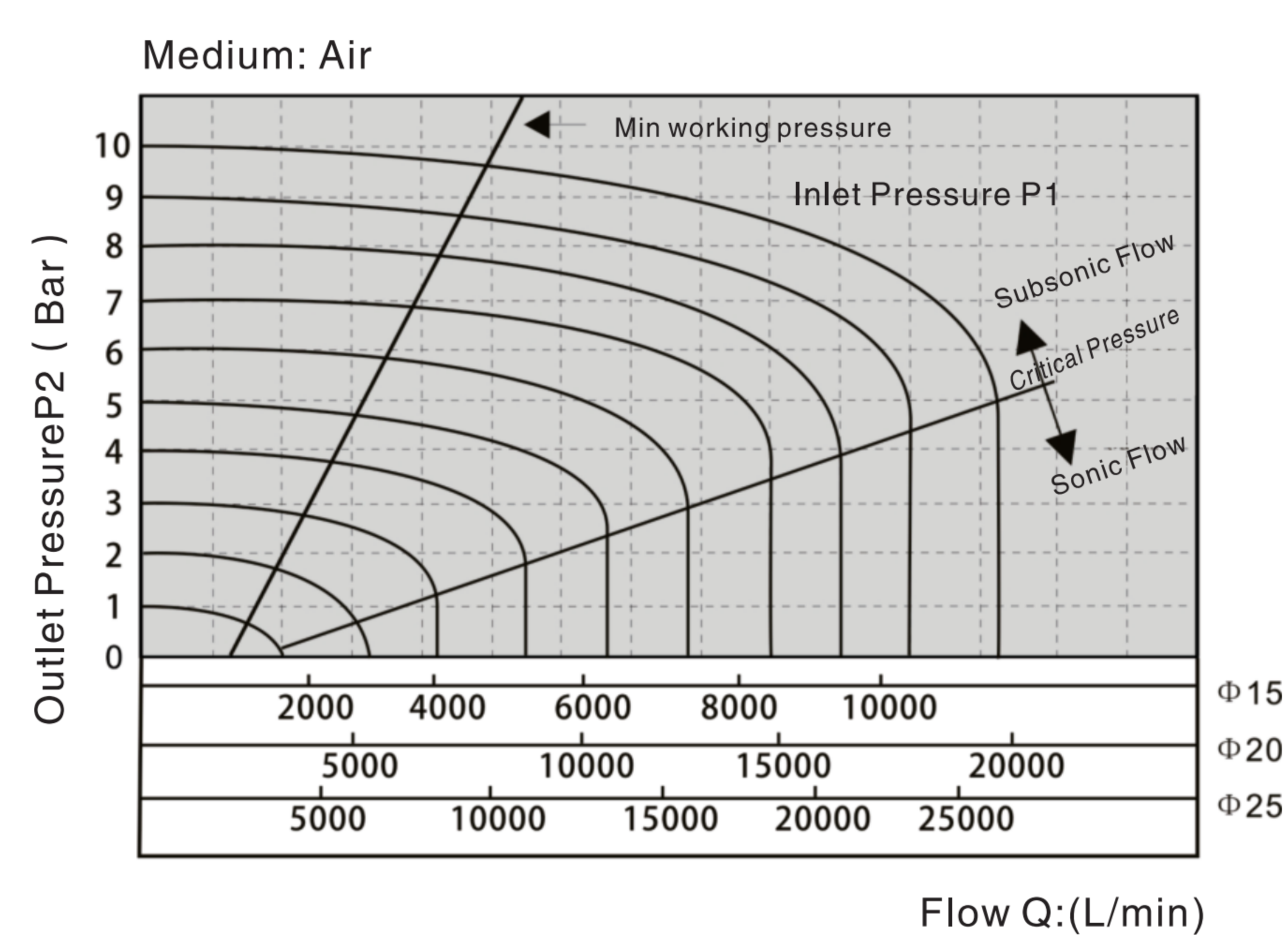
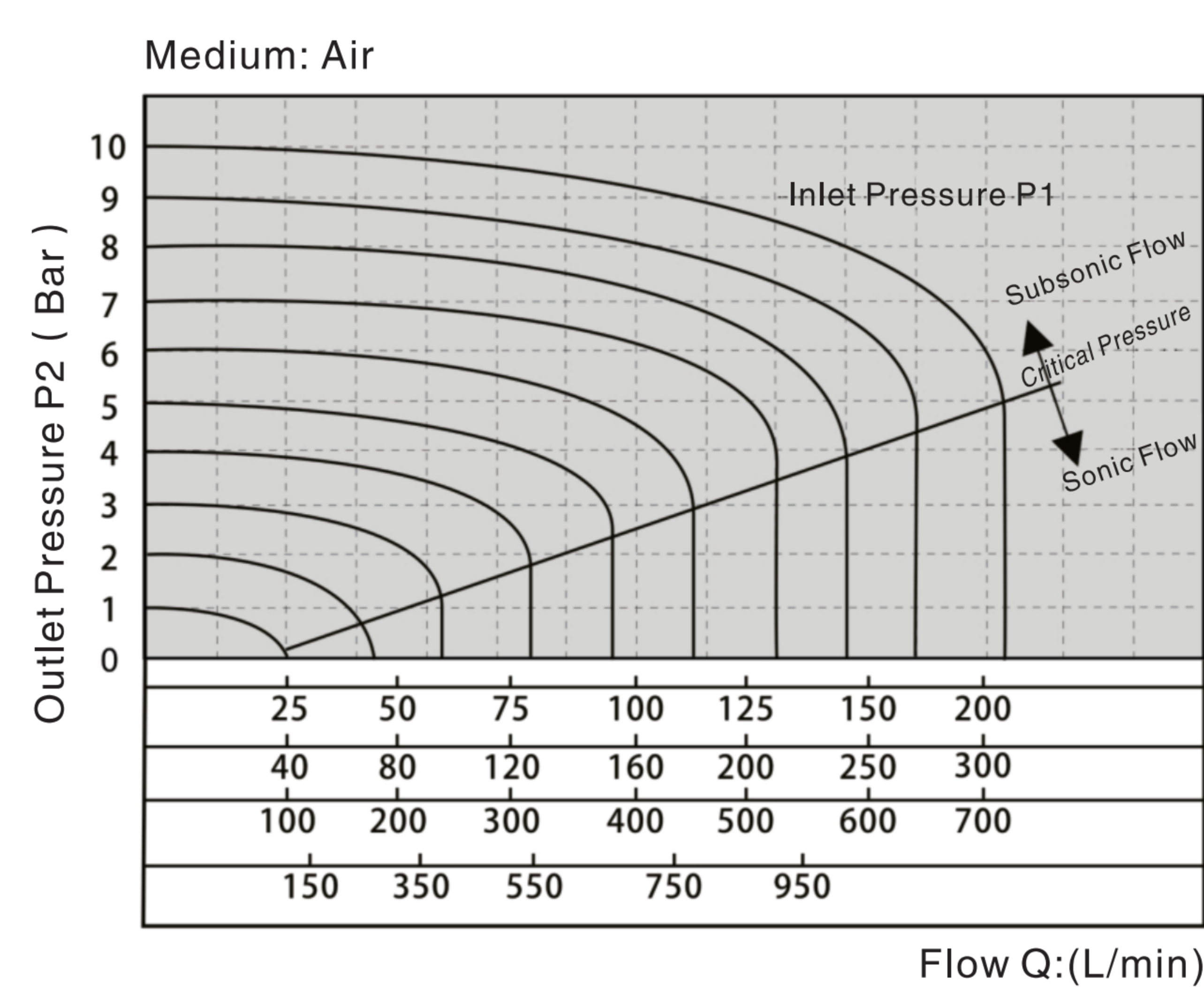


Specifications

Model	Pilot Type N.C.				Pilot Type N.O.			
Code	ELP10-150	ELP15	ELP20	ELP25	ELP10H-150	ELP15H	ELP20H	ELP25H
Port Size ❶	3/8"	1/2"	3/4"	1"	3/8"	1/2"	3/4"	1"
Orifice (mm)	15				15			
Cv	5.0	5.5	9.5	12.5	5.0	5.5	9.5	12.5
Pressure Difference (Bar)	0.5~16				0.5~10			
Acting Type	Diaphragm pilot type N.C				Diaphragm pilot type N.O			
Power consumption	Standard type: AC:15VA DC10W Low power type: AC:4VA DC3W AC110V:7.0VA				Standard type: AC:12VA DC10W Low power type: AC:4VA DC3W AC110V:7.0VA			
Guaranteed Pressure (Bar)	25				20			
Medium	Air, Water, Hot water, Oil (≤20CST)							
Working Temperature (°C)	-20 ~ 80 (No freezing)							
Voltage Range	-15 ~ 10%							
Insulations	F Class							
Protection grade	IP65(DIN40050)							
Valve Body Material	Brass							
Seal Material	NBR, EPDM, VITON							

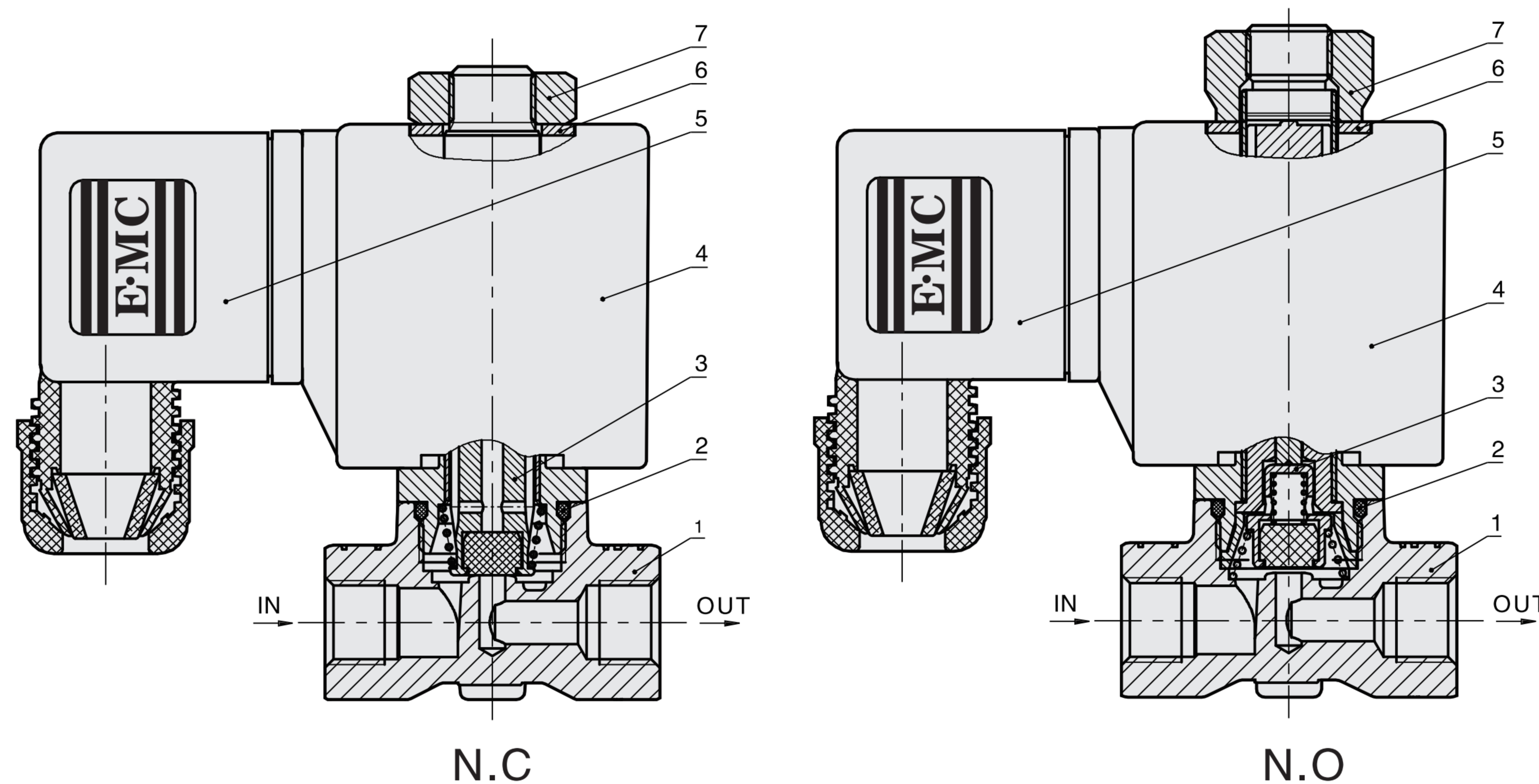
❶ G, PT, NPT thread type is optional.

Flow Chat



Internal Structure

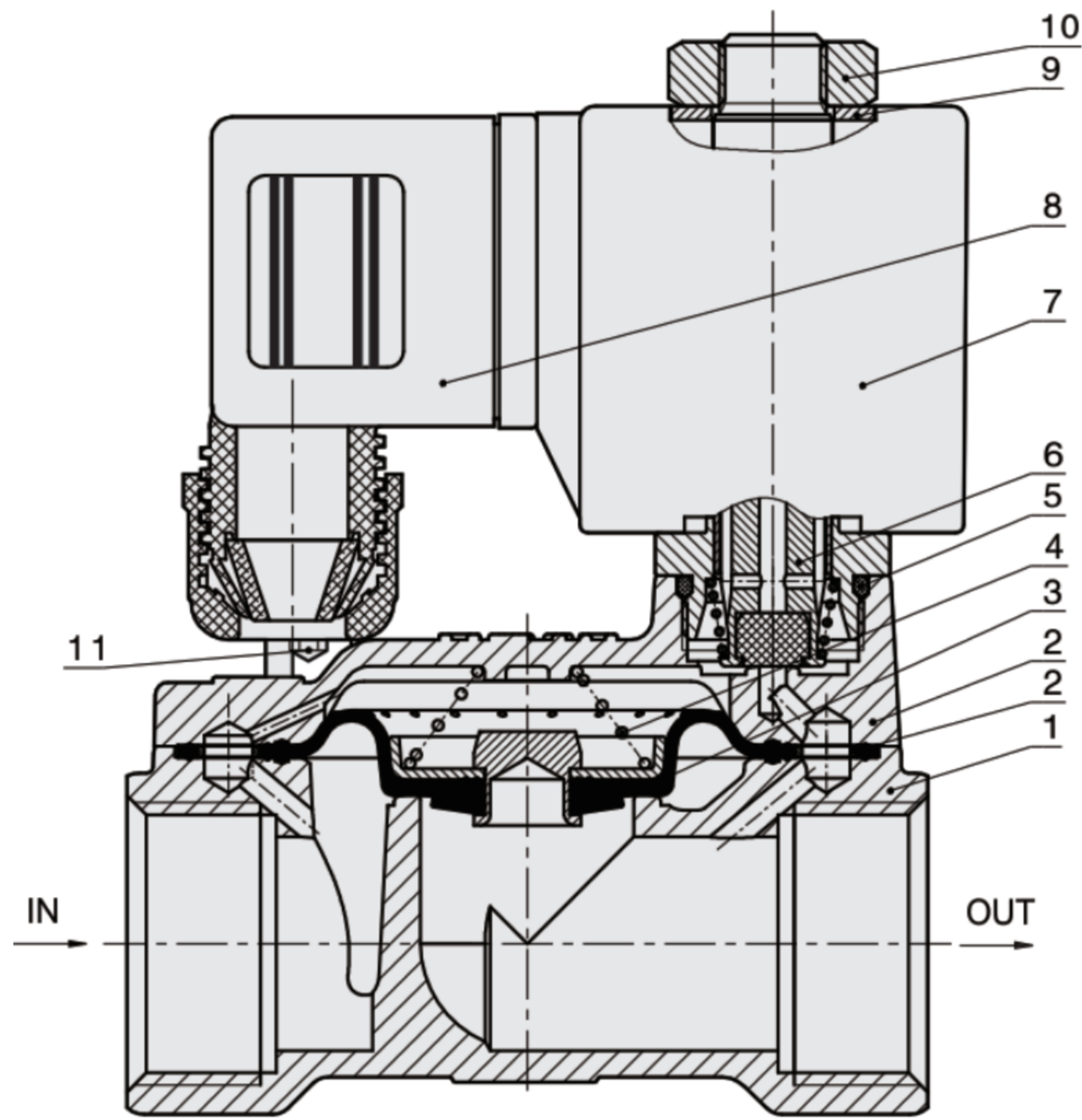
ELP06/08 Direct Acting Type:



No.	Part Name
1	Valve Body
2	O-ring
3	Iron Core Components
4	Coil
5	Water Proof Connector
6	Internal Teeth Washer
7	Hexagon nut

Internal Structure

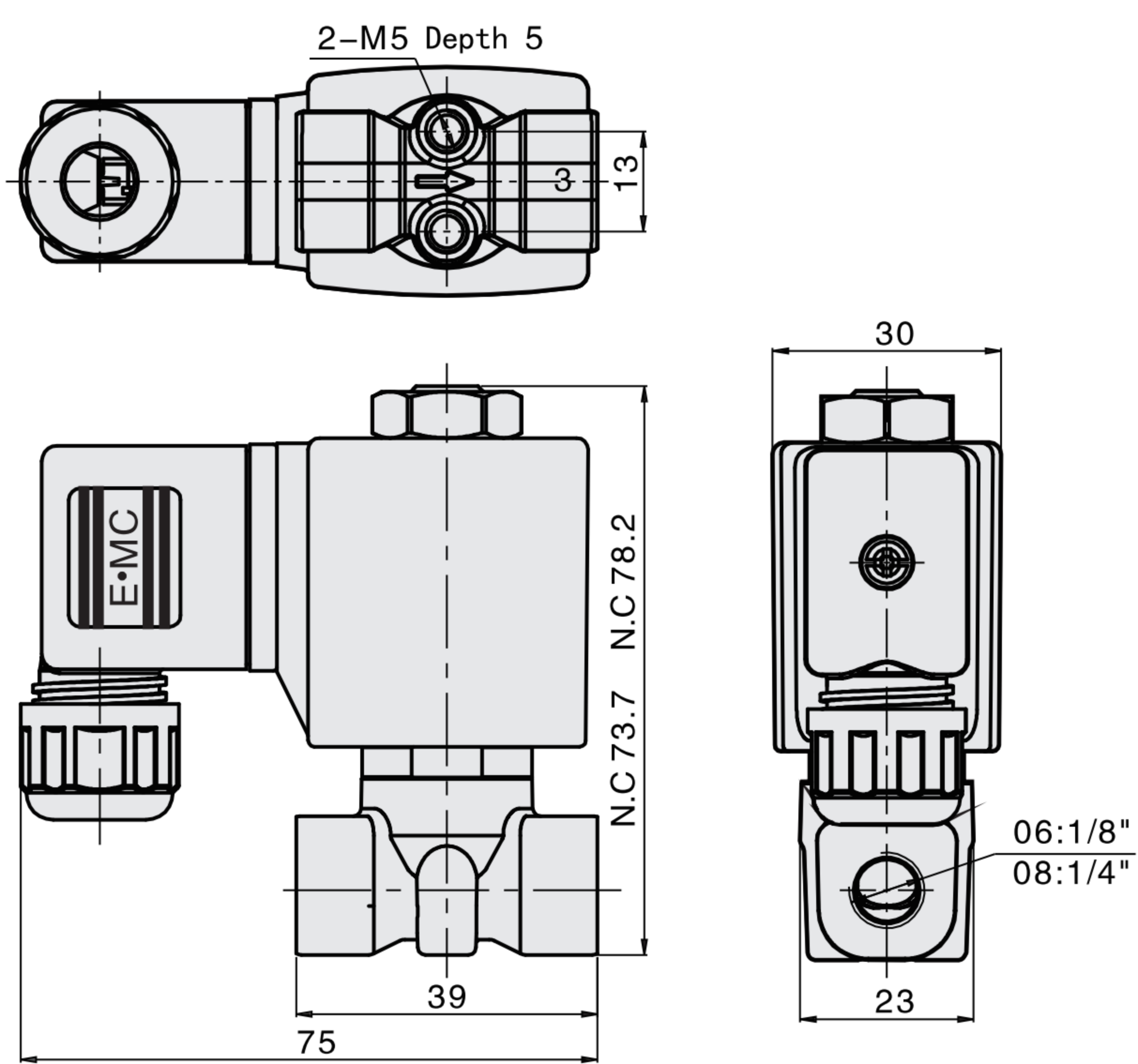
Pilot Type



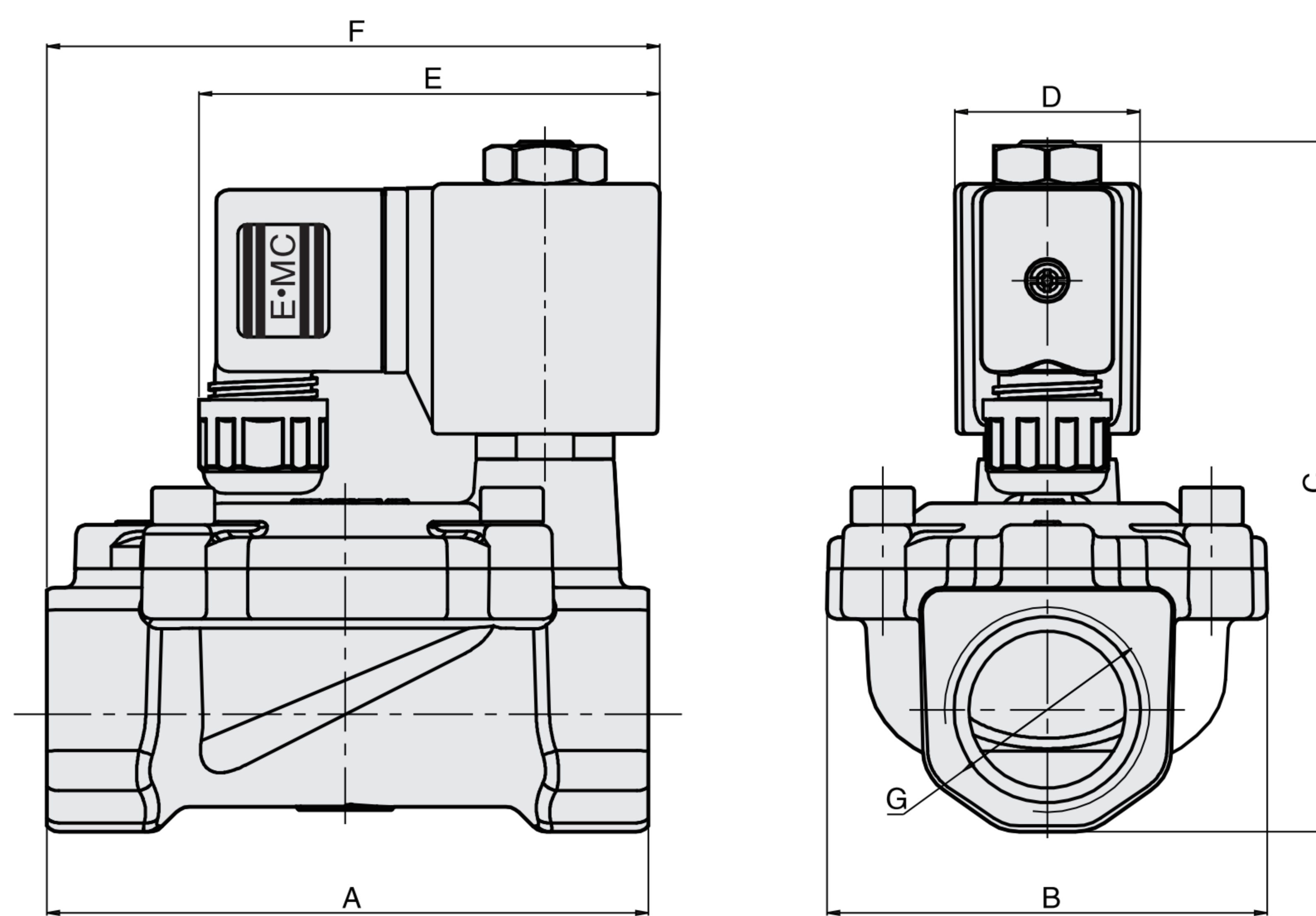
No.	Part Name
1	Valve Body
2	Spacer
3	Diaphragm Components
4	Spring
5	O-ring
6	Iron Core Components
7	Coil
8	Water Proof Connector
9	Internal Teeth Washer
10	Hexagon Nut
11	Screw

Mounting Dimension

ELP06/08 Direct Acting Type



Pilot Type



Model	A	B	C		D	E	F	G(Port)
			N.C	N.O				
ELP10	66	47	95	99.2	30	74	74	3/8"
ELP15	66	47	95	99.2	30	74	74	1/2"
ELP20	75	56	102	106.2	30	74	79	3/4"
ELP25	96	71	111	115.2	30	74	98	1"