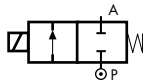


2/2 WAY DIRECT ACTING SOLENOID VALVE, G 1/8" - G 1/4"



normally closed

TYPE: 248/249

TECHNICAL SPECIFICATIONS

Media: water, oil, air

Media temperature: $-10^{\circ}\text{C} \div +130^{\circ}\text{C}$

Ambient temperature: $-10^{\circ}\text{C} \div +50^{\circ}\text{C}$

Body material: brass (CW617N EN 12165)

Operator material: stainless steel

Seal material: foodgrade FKM A80

Coil power: AC 12VA (holding)

AC 24VA (inrush)

DC 10w

Protection class: IP 65 (with connector)

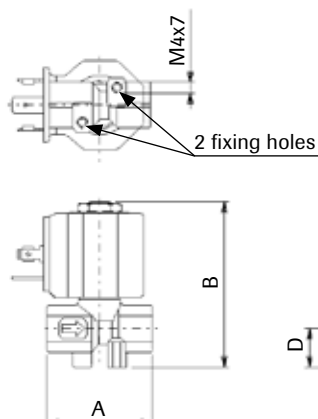
OPTIONS

EPDM seal for air and hot water MAX 120°C (e.g. code 248DEF)



SELECTION TABLE

VALVE	G connection	nominal diameter	flow rate Kvs	min	OPD		COILS	
					max AC	max DC	code	[Volts/Hz]
code	[ISO 228 G]	[mm]	[l/min]	[barg]	[barg]	[barg]	code	[Volts/Hz]
248DVD	1/8"	1.7	1.5	0	25	20	8250	24v DC
248DVF	1/8"	2.2	2.0	0	18	13	8200	24v 50/60Hz
248DVH	1/8"	3.0	3.0	0	12	7	8400	110v 50Hz - 120v 60Hz
249DVD	1/4"	1.7	1.5	0	25	20	8600	200v 50Hz - 220v 60Hz
249DVF	1/4"	2.2	2.0	0	18	13	8700	230v 50Hz - 240v 60Hz
249DVH	1/4"	3.0	3.0	0	12	7		
249DVL	1/4"	4.0	5.0	0	4	1.5		



DIMENSIONS & WEIGHTS

G connection	A	B	C	D	weight
[ISO 228 G]	[mm]	[mm]	[mm]	[mm]	[kg]
1/8"	38	62.5	Hex 17	14.5	0.19
1/4"	38	62.5	Hex 17	14.5	0.18