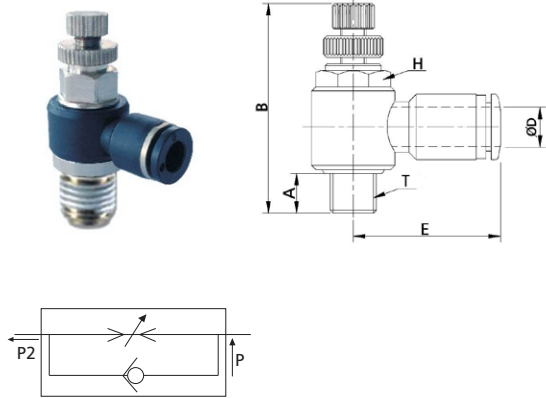
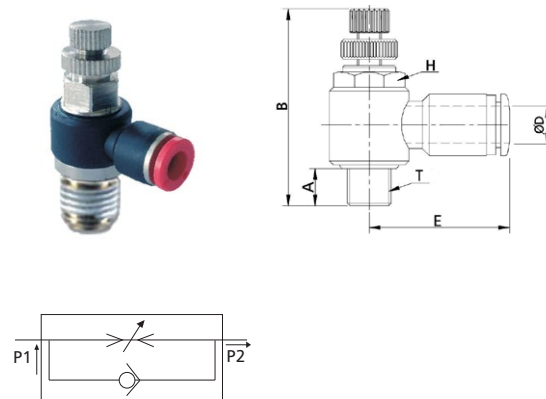


WTRFR-N Banjo male elbow flow regulator NPT & UNF thread unidirectional nickel plated with handle regulation



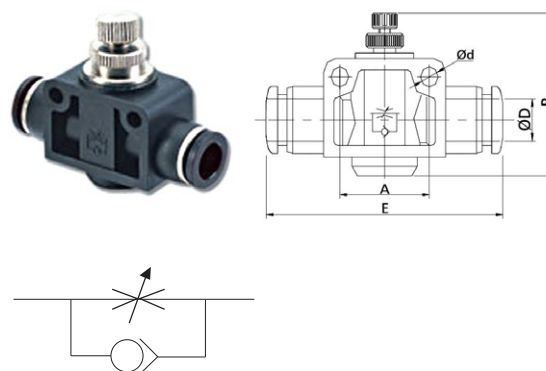
CODE	ØD	T	A	B	E	H	GR.
WTRFR532UF1032	5/32	UNF 10-32	0,149	1,153	0,787	0,314	0,037
WTRFR532N01	5/32	N1/8"	0,295	1,578	0,889	0,437	0,039
WTRFR1-4UF1032	1/4	UNF 10-32	0,149	1,153	0,866	0,314	0,038
WTRFR1-4N01	1/4	N1/8"	0,295	1,578	0,909	0,437	0,040
WTRFR1-4N02	1/4	N1/4"	0,413	1,858	0,988	0,562	0,080
WTRFR1-4N03	1/4	N3/8"	0,433	2,122	1,055	0,748	0,133
WTRFR516N01	5/16	N1/8"	0,295	1,578	1,007	0,437	0,042
WTRFR516N02	5/16	N1/4"	0,413	1,858	1,125	0,562	0,082
WTRFR516N03	5/16	N3/8"	0,433	2,122	1,165	0,748	0,134
WTRFR38N02	3/8	N1/4"	0,413	1,858	1,220	0,562	0,089
WTRFR38N03	3/8	N3/8"	0,433	2,122	1,244	0,748	0,142
WTRFR38N04	3/8	N1/2"	0,551	2,299	1,362	1	0,213
WTRFR1-2N02	1/2	N3/8"	0,433	2,122	1,401	0,748	0,093
WTRFR1-2N03	1/2	N1/2"	0,551	2,299	1,440	1	0,145

WTRFR-N-IN Banjo male elbow flow regulator NPT & UNF thread unidirectional nickel plated with handle regulation



CODE	ØD	T	A	B	E	H	GR.
WTRFR532UF1032-IN	5/32	UNF 10-32	0,149	1,153	0,787	0,314	0,037
WTRFR532N01-IN	5/32	N1/8"	0,295	1,578	0,889	0,437	0,039
WTRFR1-4UF1032-IN	1/4	UNF 10-32	0,149	1,153	0,866	0,314	0,038
WTRFR1-4N01-IN	1/4	N1/8"	0,295	1,578	0,909	0,437	0,040
WTRFR1-4N02-IN	1/4	N1/4"	0,413	1,858	0,988	0,562	0,080
WTRFR1-4N03-IN	1/4	N3/8"	0,433	2,122	1,055	0,748	0,133
WTRFR516N01-IN	5/16	N1/8"	0,295	1,578	1,007	0,437	0,042
WTRFR516N02-IN	5/16	N1/4"	0,413	1,858	1,125	0,562	0,082
WTRFR516N03-IN	5/16	N3/8"	0,433	2,122	1,165	0,748	0,134
WTRFR38N02-IN	3/8	N1/4"	0,413	1,858	1,220	0,562	0,089
WTRFR38N03-IN	3/8	N3/8"	0,433	2,122	1,244	0,748	0,142
WTRFR38N04-IN	3/8	N1/2"	0,551	2,299	1,362	1	0,213
WTRFR1-2N02-IN	1/2	N3/8"	0,433	2,122	1,401	0,748	0,093
WTRFR1-2N03-IN	1/2	N1/2"	0,551	2,299	1,440	1	0,145

WTRNSF Flat flow regulators metric sizes unidirectional nickel plated with handle regulation



CODE	ØD	Ød	A	B	E	GR.
WTRNSF04	4	3,2	14,0	28,8	39,5	11,7
WTRNSF06	6	4,3	20,0	42,6	47,6	27,0
WTRNSF08	8	4,3	22,0	44,3	52,6	39,5
WTRNSF10	10	4,3	26,0	53,4	60,5	69,0
WTRNSF12	12	4,3	32,0	55,6	74,2	113,2

