

-  Up to 120°C

---

-  Up to 10 Bar

---

-  Compressed air and fluids compatible with construction materials

---


-  Screwdriver

---

-  Parallel gas BSPP ISO 228 con OR from G1/8" to G1/2"

---

-  Polyethylene, PTFE, FEP

 **Body:** stainless steel AISI 316  
**Lock claw:** stainless steel AISI 303  
**Seal:** Viton

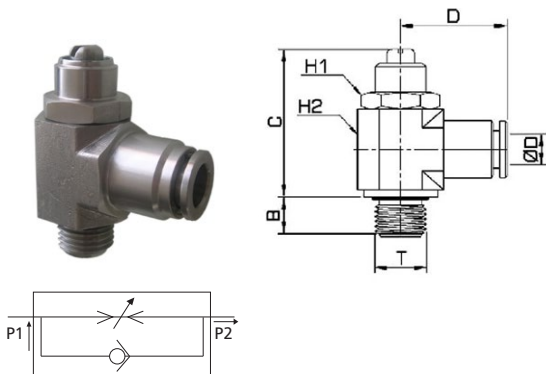
 **REACH** Products in compliance with the directive 2002/95/EC

**RoHS2** Products in compliance with the directive 2011/65/EU



### SXSC-D

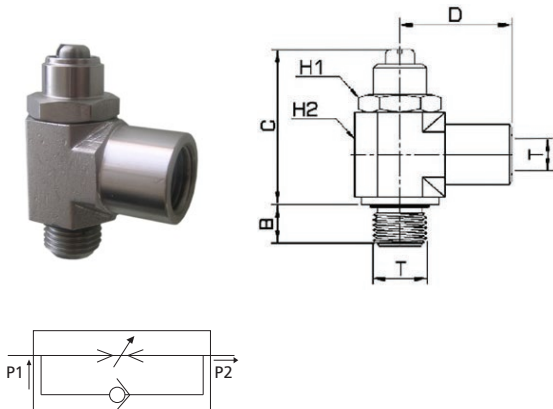
Unidirectional screwdriver flow regulator BSPP thread in AISI 316 for cylinders



CODE	ØD	T	B	C	D	E	H1	H2	GR.
SXSC06G01-D	6	G1/8"	6	38	24	8	14,3	16	44
SXSC06G02-D	6	G1/4"	8	40	28	12	17,4	19	84
SXSC08G01-D	8	G1/8"	6	38	24	8	14,3	16	46
SXSC08G02-D	8	G1/4"	8	40	28	12	17,4	19	80
SXSC10G02-D	10	G1/4"	8	40	28	12	17,4	19	83

### SXSC-DF

Unidirectional screwdriver female flow regulator BSPP thread in AISI 316 for cylinders



CODE	T	B	C	D	E	H1	H2	GR.
SXSC01-DF	G1/8"	6	38	21	8	14,3	16	42
SXSC02-DF	G1/4"	8	40	25	12	17,4	19	87
SXSC03-DF	G3/8"	8	53	28	12	20,6	22	141
SXSC04-DF	G1/2"	10	69	31	15	24,0	28	213

