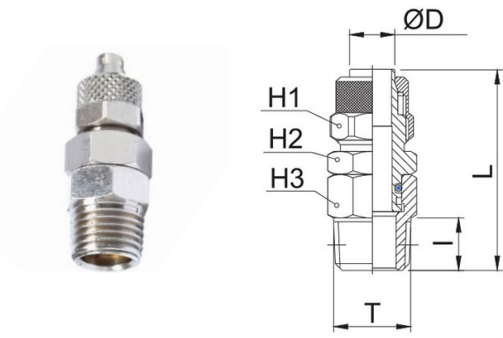


2511

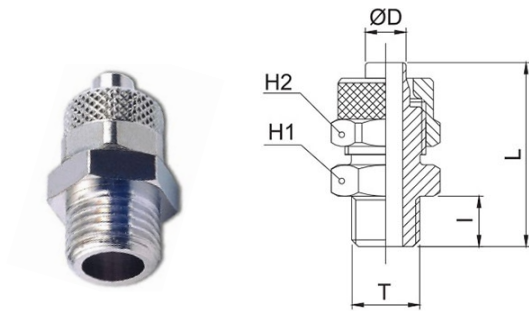
Swivel male connector BSPT thread



CODE	T	ØD	I	L	H1	H2	H3	GR.
2511TR1864	G1/8"	6/4	8	37,0	12	12	12	22,0
2511TR1464	G1/4"	6/4	11	40,0	12	14	14	28,0
2511TR1885	G1/8"	8/5	8	37	14	12	12	0,03
2511TR1485	G1/4"	8/5	11	40	14	14	14	0,032
2511TR1886	G1/8"	8/6	8	37,0	14	12	12	26,0
2511TR1486	G1/4"	8/6	11	40,0	14	14	14	30,0
2511TR141065	G1/4"	10/6,5	11	42	16	14	14	0,034
2511TR14108	G1/4"	10/8	11	42,0	16	14	14	34,0
2511TR38128	G3/8"	12/8	11,5	44	18	17	17	0,05
2511TR381210	G3/8"	12/10	11,5	44,0	18	17	17	50,0

2512

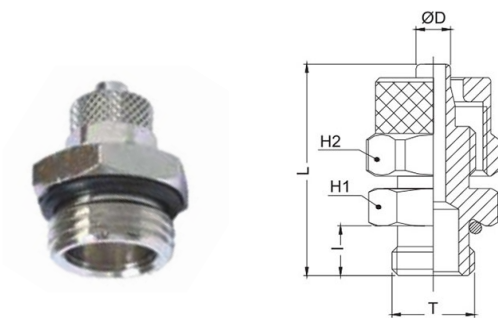
Male connector metric thread



CODE	T	ØD	I	L	H1	H2	GR.
2512TRM553	M5	5/3	4	20	8	8	4,0
2512TRM653	M6	5/3	5	21	8	8	6,0
2512TRM564	M5	6/4	4	21	8	9	6,0
2512TRM664	M6	6/4	5	22	8	9	6,0
2512TRM1212564	M12X1,25	6/4	8	28	17	12	22,0
2512TRM121564	M12X1,5	6/4	8	28	17	12	22,0
2512TRM1212586	M12X1,25	8/6	8	28	17	14	24,0
2512TRM121586	M12X1,5	8/6	8	28	17	14	24,0

2513

Male connector metric thread with OR



CODE	T	ØD	I	L	H1	H2	GR.
2513TRM5427	M5	4/2,7	4	20,0	8	8	6,0
2513TRM6427	M6	4/2,7	4	20,0	8	8	6,0
2513TRM553	M5	5/3	4	20,5	8	8	6,0
2513TRM653	M6	5/3	4	20,5	8	8	6,0
2513TRM564	M5	6/4	4	21,0	8	12	6,0
2513TRM664	M6	6/4	4	21,0	8	12	6,0
2513TRM12164	M12X1	6/4	8	28,0	15	12	20,0
2513TRM1212564	M12X1,25	6/4	8	28,0	15	12	20,0
2513TRM121564	M12X1,5	6/4	8	28,0	15	12	20,0
2513TRM1212586	M12X1,25	8/6	8	28,0	17	14	17,0
2513TRM121586	M12X1,5	8/6	8	28,0	17	14	17,0

