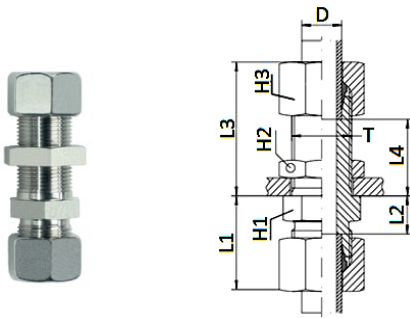


3790

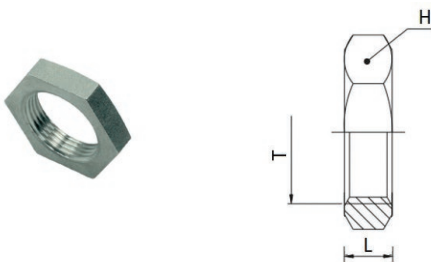
Bulkhead connector



CODE	ØD	T	L1	L2	L3	L4	H1	H2	H3	BAR	GR.
3790TRL6	6	M12X1,5	22,0	7,0	42,0	27,0	17,0	14,0	17,0	500	60,0
3790TRL8	8	M14X1,5	23,0	8,0	42,0	27,0	19,0	17,0	19,0	500	82,0
3790TRL10	10	M16X1,5	25,0	10,0	43,0	28,0	22,0	19,0	22,0	500	106,0
3790TRL12	12	M18X1,5	25,0	10,0	44,0	29,0	24,0	22,0	24,0	400	133,0
3790TRL15	15	M22X1,5	27,0	12,0	46,0	31,0	27,0	27,0	30,0	400	216,0

1476

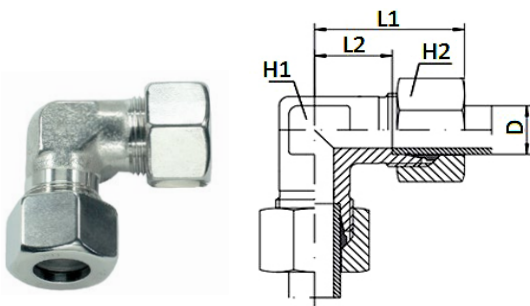
Locknuts for bulkhead



CODE	T	L	H
1476TRHM1215	M12X1,5	6	17
1476TRHM1415	M14X1,5	6	19
1476TRHM1615	M16X1,5	6	22
1476TRHM1815	M18X1,5	6	24
1476TRHM2215	M22X1,5	7	30

3800

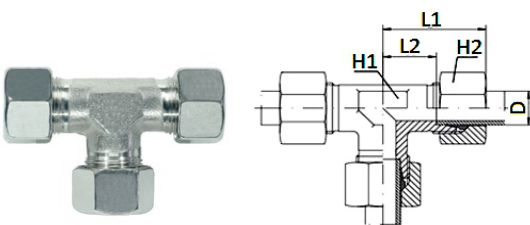
Union elbow connector



CODE	ØD	L1	L2	H1	H2	BAR	GR.
3800TRLL4	4	21,0	11,0	9,0	10,0	100	44,0
3800TRL6	6	27,0	12,0	12,0	14,0	500	51,0
3800TRL8	8	29,0	14,0	12,0	17,0	500	75,0
3800TRL10	10	30,0	15,0	14,0	19,0	500	98,0
3800TRL12	12	32,0	17,0	17,0	22,0	400	134,0
3800TRL15	15	36,0	21,0	19,0	27,0	400	230,0
3800TRS16	16	43,0	24,5	24,0	30,0	630	246,0

3810

Union tee connector



CODE	ØD	L1	L2	H1	H2	BAR	GR.
3810TRLL4	4	21,0	11,0	9,0	10,0	100	62,0
3810TRL6	6	27,0	12,0	12,0	14,0	500	71,0
3810TRL8	8	29,0	14,0	12,0	17,0	500	101,0
3810TRL10	10	30,0	15,0	14,0	19,0	500	128,0
3810TRL12	12	32,0	17,0	17,0	22,0	400	170,0
3810TRL15	15	36,0	21,0	19,0	27,0	400	230,0
3810TRS16	16	43,0	24,4	24,0	30,0	630	261,0

