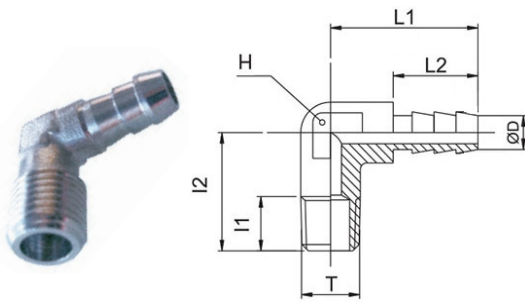


1171

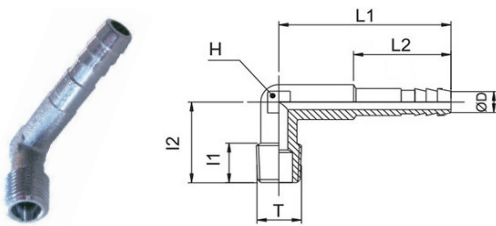
Male elbow barb connector BSPT thread



CODE	T	ØD	I1	I2	L1	L2	H	GR.
1171TR186185	R1/8"	6	8,0	18,5	22,5	14,0	8	10,0
1171TR18623	R1/8"	6	11,0	23,0	22,5	14,0	8	12,0
1171TR14623	R1/4"	6	11,0	23,0	23,0	14,0	9	16,0
1171TR187185	R1/8"	7	8,0	18,5	22,5	14,0	8	10,0
1171TR18723	R1/8"	7	11,0	23,0	22,5	14,0	8	10,0
1171TR14723	R1/4"	7	12,0	23,0	23,0	14,0	9	16,0

1172

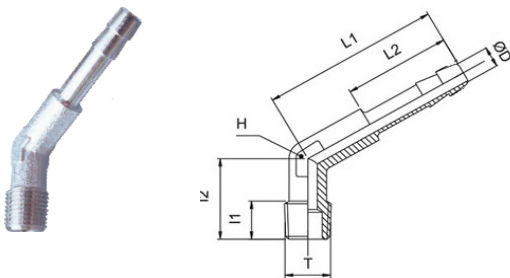
Long male elbow barb connector BSPT thread



CODE	T	ØD	I1	I2	L1	L2	H	GR.
1172TR186325	R1/8"	6	11,0	22,0	32,5	14,0	9	18,0
1172TR18638	R1/8"	6	8,0	18,5	38,0	22,0	8	14,0
1172TR146325	R1/4"	6	11,0	23,0	32,5	14,0	9	20,0
1172TR187325	R1/8"	7	11,0	22,0	32,5	14,0	9	16,0
1172TR18738	R1/8"	7	8,0	18,5	38,0	22,0	8	14,0
1172TR147325	R1/4"	7	8,0	23,0	32,5	14,0	9	20,0

1173

Long male elbow 120° barb connector BSPT thread



CODE	T	ØD	I1	I2	L1	L2	H	GR.
1173TR186	R1/8"	6	8,0	18,5	38,0	23,0	8	14,0
1173TR187	R1/8"	7	8,0	18,5	38,0	23,0	8	12,0

