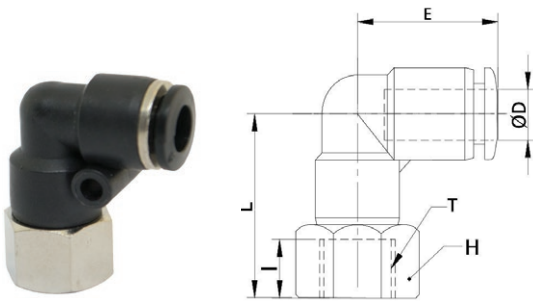


WTRLF-N

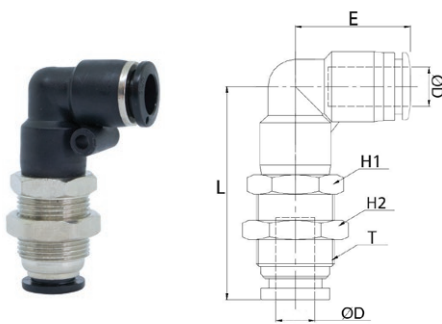
Swivel female elbow NPT thread nickel plated



CODE	ØD	T	I	L	E	H	LB
WTRLF532N01	5/32	N1/8"	0,295	0,925	0,688	0,562	0,030
WTRLF316N01	3/16	N1/8"	0,295	0,937	0,700	0,562	0,034
WTRLF316N02	3/16	N1/4"	0,413	1,043	0,700	0,685	0,044
WTRLF1-4N01	1/4	N1/8"	0,295	0,980	0,748	0,562	0,036
WTRLF1-4N02	1/4	N1/4"	0,413	1,098	0,748	0,685	0,047
WTRLF516N01	5/16	N1/8"	0,295	0,984	0,897	0,562	0,042
WTRLF516N02	5/16	N1/4"	0,413	1,122	0,897	0,685	0,053
WTRLF516N03	5/16	N3/8"	0,433	1,161	0,897	0,874	0,071
WTRLF38N02	3/8	N1/4"	0,413	1,220	1,035	0,685	0,074
WTRLF38N03	3/8	N3/8"	0,433	1,240	1,035	0,874	0,075
WTRLF1-2N03	1/2	N3/8"	0,433	1,358	1,165	0,874	0,108
WTRLF1-2N04	1/2	N1/2"	0,551	1,476	1,165	1	0,120

WTRLM

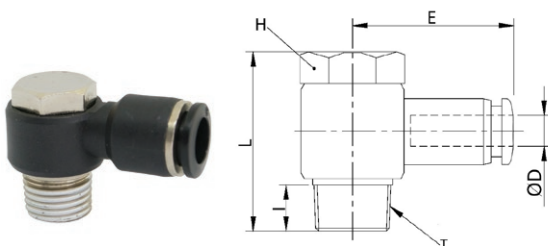
Bulkhead elbow nickel plated



CODE	ØD	T	L	E	H1	H2	GR.
WTRLM04	4	M12X1	28,5	17,5	14	14	15,0
WTRLM06	6	M14X1	34,1	19,0	17	17	27,2
WTRLM08	8	M16X1	43,4	22,8	17	19	38,0
WTRLM10	10	M20X1	45,5	26,3	21	24	55,0
WTRLM12	12	M22X1	51,6	29,6	24	27	85,0

WTRH-R

Swivel male banjo elbow BSPT thread nickel plated



CODE	ØD	T	I	L	E	H	GR.
WTRH04R01	4	R1/8"	7,0	23,0	22,3	10	10,5
WTRH04R02	4	R1/4"	9,5	26,3	24,05	14	21,9
WTRH06R01	6	R1/8"	7,0	23,0	23,1	10	11,0
WTRH06R02	6	R1/4"	9,5	26,3	25,1	14	22,5
WTRH06R03	6	R3/8"	10,5	31,9	26,8	19	37,8
WTRH08R01	8	R1/8"	7,0	23,0	25,6	10	11,8
WTRH08R02	8	R1/4"	9,5	26,3	28,6	14	23,3
WTRH08R03	8	R3/8"	10,5	31,9	29,6	19	38,4
WTRH08R04	8	R1/2"	13,5	38,6	32,6	24	75,4
WTRH10R02	10	R1/4"	9,5	26,3	31,0	14	26,7
WTRH10R03	10	R3/8"	10,5	31,9	31,6	19	41,8
WTRH10R04	10	R1/2"	13,5	38,6	34,6	24	78,8
WTRH12R02	12	R1/4"	9,5	26,3	33,5	14	28,2
WTRH12R03	12	R3/8"	10,5	31,9	35,6	19	43,4
WTRH12R04	12	R1/2"	13,5	38,6	36,6	24	80,3

