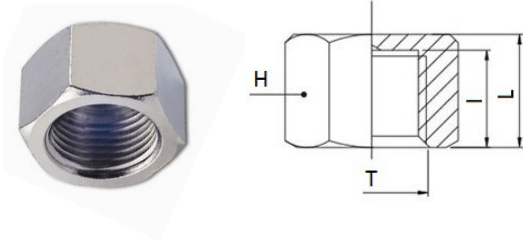


1155

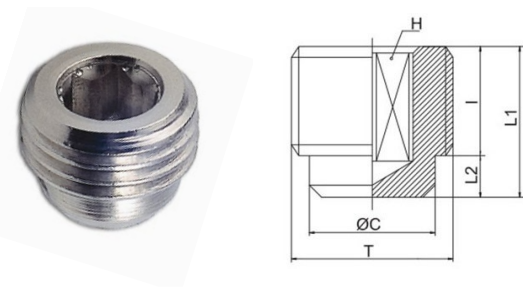
Plug F BSPP & metric thread



CODE	T	I	L	H	GR.
1155TRM5	M5	5,5	7,0	8	2,0
1155TR18	G1/8"	9,0	11,0	14	5,0
1155TR14	G1/4"	11,0	13,0	17	17,0
1155TR38	G3/8"	11,0	13,5	21	23,0
1155TR12	G1/2"	11,0	13,5	24	44,0
1155TR34	G3/4"	12,5	15,0	30	44,0
1155TR1	G1"	12,5	15,0	38	56,0

1160

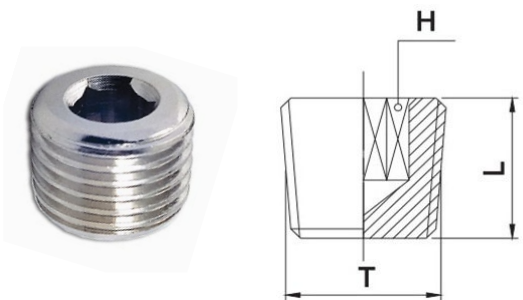
Plug M BSPP thread with exagon embedded



CODE	T	I	ØC	L1	L2	H	GR.
1160TR18	G1/8"	4,0	8,0	7,0	3,0	5	2,0
1160TR14	G1/4"	6,0	10,5	10,0	4,0	6	6,0
1160TR38	G3/8"	6,0	13,5	10,0	4,0	8	10,0
1160TR12	G1/2"	6,5	17,5	11,0	4,0	10	13,0

1161

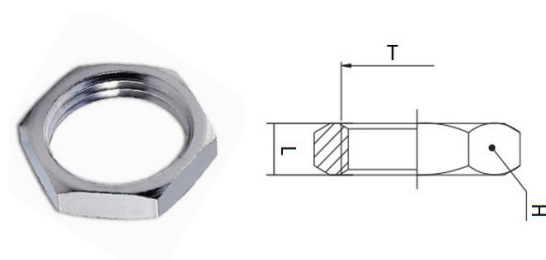
Flat plug M BSPT thread exagon embedded



CODE	T	L	H	GR.
1161TR18	R1/8"	8,0	5	3,0
1161TR14	R1/4"	10,0	6	7,0
1161TR38	R3/8"	10,5	8	23,0
1161TR12	R1/2"	13,0	10	24,0
1161TR34	R3/4"	15,5	14	32,0
1161TR1	R1"	17,5	17	45,0

1175

Nut BSPP & metric thread



CODE	T	L	H	GR.
1175TRM5	M5	2,5	9	1,0
1175TR18	G1/8"	3,5	12	3,0
1175TR14	G1/4"	4,0	16	2,0
1175TR38	G3/8"	4,5	19	3,0
1175TR12	G1/2"	4,5	24	6,0
1175TR34	G3/4"	5,0	30	10,0
1175TR1	G1"	6,0	38	20,0

