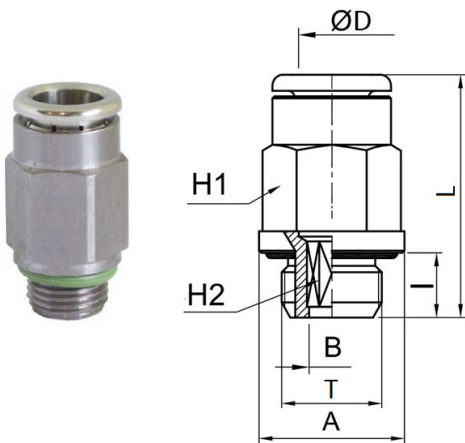


HFC-G

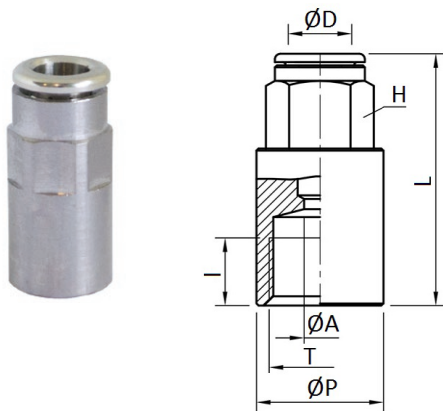
Male connector BSPP & metric with OR



CODE	$\varnothing D$	T	I	L	A	B	H1	H2	GR.
HFC04M5	4	M5X1	4	20	9	2,5	/	2,5	6,0
HFC04G01	4	G1/8"	6	20	13,5	2,5	9	2,5	9,0
HFC04G02	4	G1/4"	8	21	16	2,5	9	2,5	14,0
HFC06G01	6	G1/8"	6	22,5	13,5	4,2	11	4	12,0
HFC06G02	6	G1/4"	8	22,5	16	4,2	11	4	17,0
HFC08G01	8	G1/8"	6	25	14,5	5,2	13	5	14,0
HFC08G02	8	G1/4"	8	23,5	16	6,2	13	6	17,0
HFC08G03	8	G3/8"	8	24	21	6,2	13	6	24,0
HFC10G02	10	G1/4"	6,5	26,5	16	7,2	16	7	23,0
HFC10G03	10	G3/8"	7,5	28	21	8,3	16	8	30,0
HFC12G02	12	G1/4"	6,5	30,5	18	7,2	18	7	27,0
HFC12G03	12	G3/8"	9	31	21	10,2	18	10	31,0
HFC12G04	12	G1/2"	11	31,5	24	10,3	18	10	40,0

HFCF

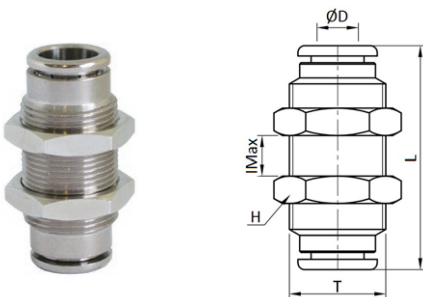
Female connector BSPP



CODE	$\varnothing D$	T	$\varnothing A$	$\varnothing P$	I	L	H1	GR.
HFCF04G01	4	1/8"	3	12	6,5	25	9	12,0
HFCF04G02	4	1/4"	3	16	10	28,5	9	25,0
HFCF06G01	6	1/8"	5	12	6,5	25	11	12,0
HFCF06G02	6	1/4"	5	16	10	29,5	11	22,0
HFCF08G01	8	1/8"	7	12	6,5	26	13	14,0
HFCF08G02	8	1/4"	7	16	10	30,5	13	25,0

HFMM

Bulkhead connector



CODE	$\varnothing D$	L	T	I MAX	H	GR.
HFMM0400	4	30,5	M10X1	8	13	11,0
HFMM0600	6	31,5	M14X1	8	17	22,0
HFMM0800	8	34	M16X1	10	18	35,0

